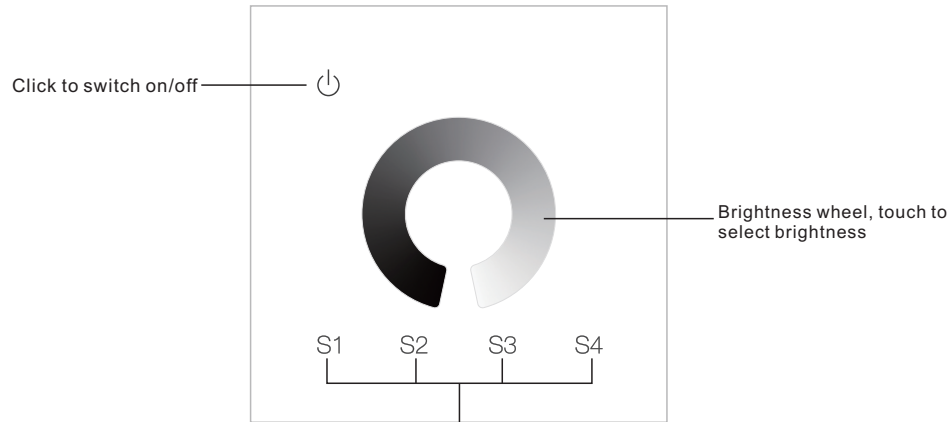


# Valo Wired single color Led light controller (VaLO-INWALL-400W)



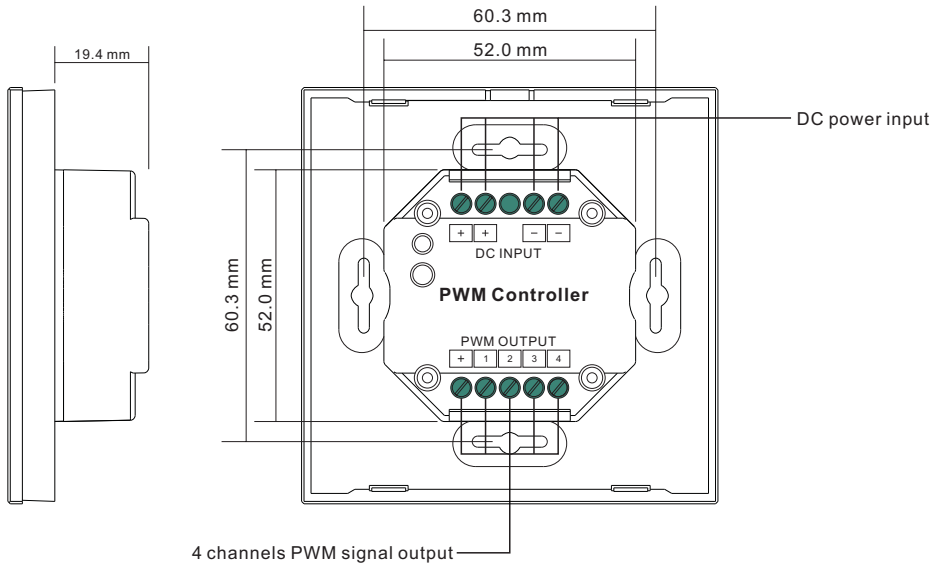
**Important:** Read All Instructions Prior to Installation

## Function introduction



Press and hold down to save colors/scenes;  
Click to recall the saved colors/scenes

Front side



Back side

## Product Data

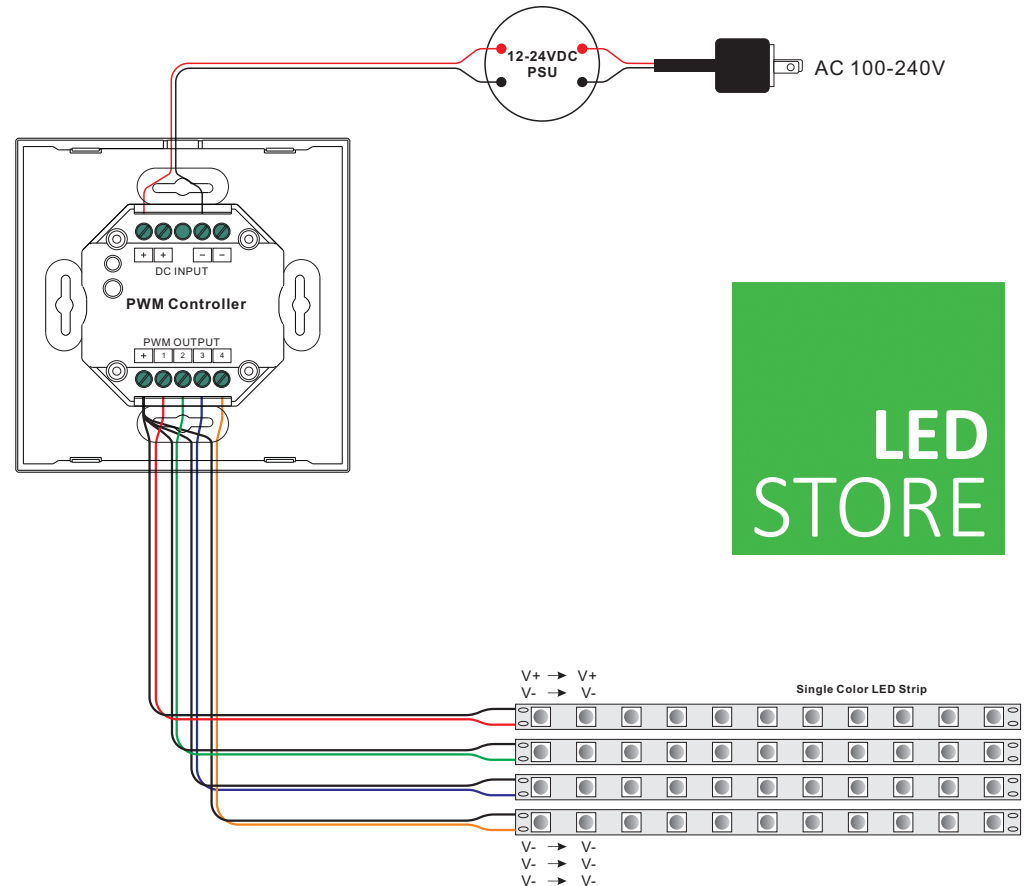
Output Signal	4x5A PWM signal
Power Supply	12-24VDC
Power consumption	200 mA
Operating temperature	0-40°C
Relative humidity	8% to 80%
Dimensions	86x86x29.1mm

- Touch sensitive
- Glass interface(white & black)
- 4 channels PWM Signal output
- Control single color
- Waterproof grade: IP20

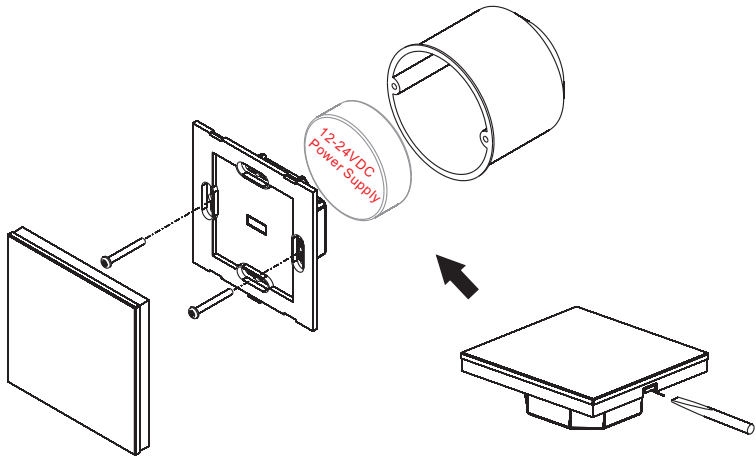
## Safety & Warnings

- DO NOT install with power applied to device.
- DO NOT expose the device to moisture.

## Wiring diagram



## Installation



**Valo** Wired single color Led light controller  
(VaLO-INWALL-400W)

