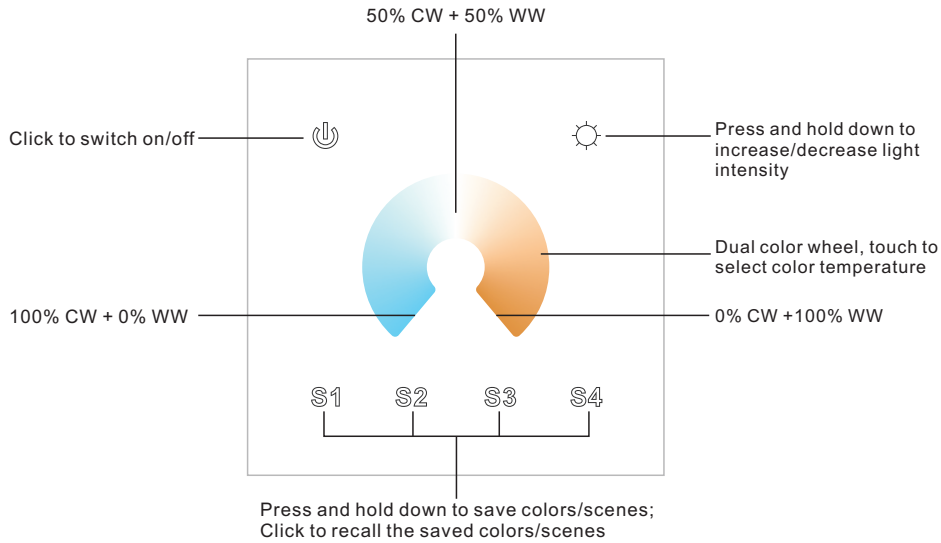
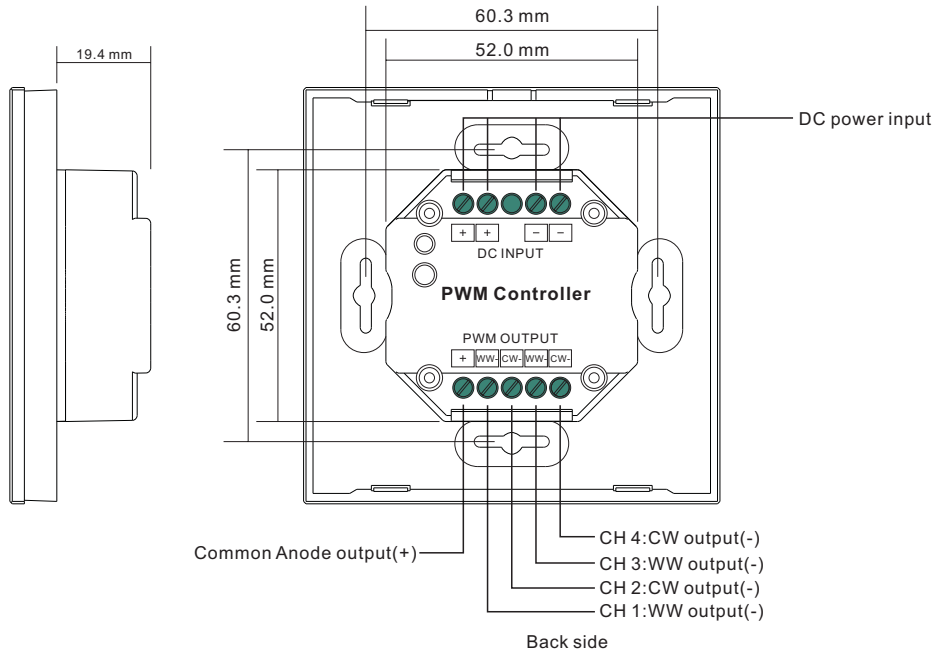


Important: Read All Instructions Prior to Installation

Function introduction



Front side



Product Data

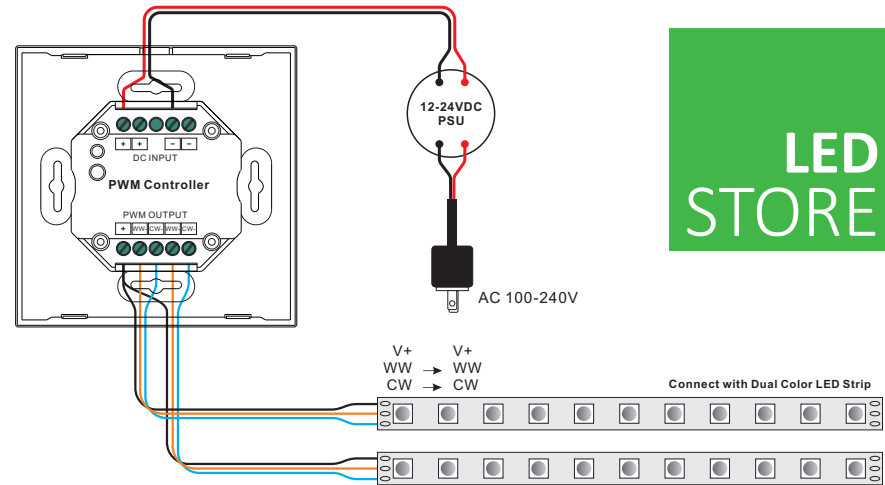
Output Signal	4x5A PWM signal
Power Supply	12-24VDC
Input current	20.5A max.
Operating temperature	0-40°C
Relative humidity	8% to 80%
Dimensions	86x86x29.1mm

- Touch sensitive
- Glass interface(white & black)
- Output PWM signal, connect LED strip directly
- Control CCT color
- Control 1 zone/area
- Waterproof grade: IP20

Safety & Warnings

- DO NOT install with power applied to device.
- DO NOT expose the device to moisture.

Wiring diagram



Installation

